

<b>Number</b> <b>MAXI 100 C Class ADA</b>	<b>Series</b> <b>MAX100</b> Trench Drain Grate MAXI 100
--	--

**Product Specifications**

**Part No.:**  
865-M4DICH

**Load Class:**  
C250 (55,100 lbs) according EN 1433  
Certified by MPA-HB (independent laboratories)

**Material:**  
Ductile Iron GJS-500-7

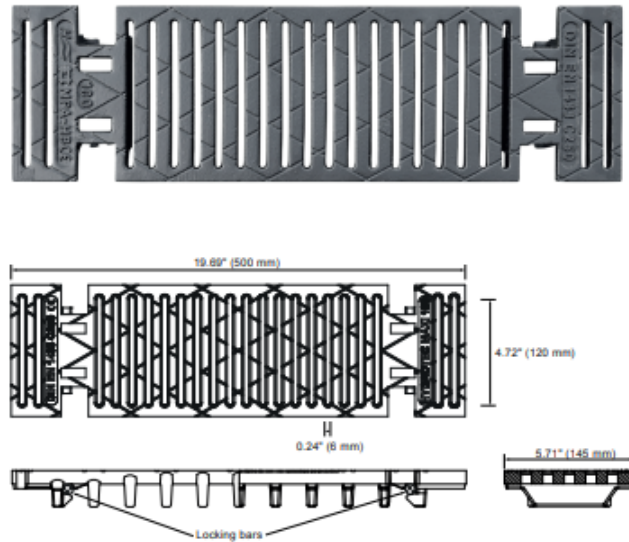
**Weight:**  
11.24 lbs (5.1kg)

**Surface:**  
Slot design (0.24" x 4.72") for heel-proof areas.  
Slots according ADA standards.

**Locking:**  
Patented boltless grate locking system

**Water intake:**  
54.25 sq/in (350cm<sup>2</sup>/m)

**Use:**  
This grate is developed for use with HydroTec MAXI 100 channels made of fiber reinforced concrete with a ductile iron edge protection.



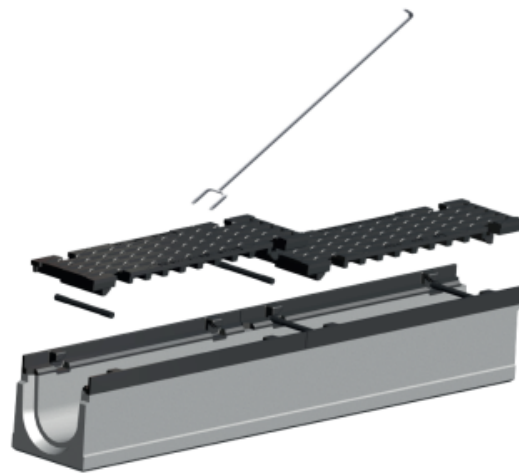
**System Specifications**

**Grate Locking Tool (Part No. 865-TOOL):**  
The Grate Locking Tool is made of galvanized steel. It's used to lock and unlock the grate.

**Grate:**  
The grate is made of ductile iron and certified to EN 1433 Load Class C250.

**Locking Bar (Part No. 865-4LR):**  
Two locking bars fix the grate to the channel body. They're unlocked by the Grate Locking Tool .

**MAXI 100 Channel:**  
The channel body is made of fiber reinforced concrete with a ductile iron edge protection. Connecting profiles at the end of the channel guarantee an easy and fast installation.



**Manufacturer**



**Specification**

HYDROTEC MAXI 100 SERIES FIBER REINFORCED CONCRETE WITH A DUCTILE IRON EDGE 4" WIDTH DRAINAGE CHANNEL. WITH SLOPE , SUPPLIED BY TRENCH DRAIN SUPPLY.

DISCLAIMER - The customer and the customer's architects, engineers, consultants, and other professionals are completely responsible for the selection installation and maintenance of any product purchased from Trench Drain Supply and/or its manufacturers. TRENCH DRAIN SUPPLY MAKES NO WARRANTY, EXPRESS OR IMPLIED, AS TO THE SUITABILITY, DESIGN, MERCHANTABILITY, OR FITNESS OF THE PRODUCT FOR CUSTOMERS APPLICATION. The drawing and information provided remain the property and copyright of the manufacturer listed. The manufacturer reserves the right to modify specification without notice.